



AN2284 APPLICATION NOTE

Smart Card Interface
with the STR71xx

Introduction

This document describes a software and hardware smart card interface for the STR71x Smart Card peripheral.

The main purpose of this software and hardware package is to provide resources facilitating the development of an application using the Smart Card Peripheral.

The software interface is composed of library source files and some application template source files.

Contents

1	File Organization Of The Smart Card Library	6
2	Smart Card Reader Using STR710: Overview	7
3	Device Description	8
3.1	STR710 Microcontroller	8
4	SC Peripheral Description	10
4.1	Introduction	10
4.2	External Interface	10
4.3	Protocol	10
4.4	Smart Card Clock Generator	11
5	SC Reader: Basic Hw For 5v Card	12
6	SC ISO7816: Protocol Overview	13
6.1	Introduction	13
6.2	ISO 7816-2 - Pins Location	13
6.2.1	Pin Assignment	14
7	ISO 7816-3 - Electronic Signal and Transmission Protocol	15
7.0.1	Card Power-on and Reset	16
7.0.2	Data Transfer	16
7.0.3	Answer to Reset: ATR	17
7.1	ISO 7816-4 - Smart Card Commands	19
7.1.1	The T0 Protocol	19
7.2	Application Level Protocols	21
7.2.1	The ISO 7816-4 APDU	22
7.2.2	The File System API	23
7.2.3	The ISO 7816-4 Functions	24
7.2.4	The Security API	26
8	SC Reader Lib: Description	28
8.1	SC parameters	28

8.1.1	SC_Action	28
8.1.2	SC_State	28
8.1.3	CmdStatus	30
8.2	How to Send ADPU Commands to SC	30
8.2.1	SC_SELECT_FILE	31
8.2.2	SC_GET_A2R	31
8.2.3	SC_GET_RESPONCE	31
8.2.4	SC_READ_BINARY	32
8.2.5	SC_CREATE_FILE	32
8.2.6	SC_UPDATE_BINARY	33
8.2.7	SC_VERIFY	33
9	SC Reader Lib: Parity Error Management	34
9.1	Data Sent From Card to Reader	34
9.2	Data Sent From Reader to Card	34
10	SC Reader Example	35
10.1	Firmware Package Description	35
10.2	Firmware Description	35
10.2.1	Smart Card Start Up: Answer to Reset (A2R)	36
10.2.2	Reading a File at aSpecified Path	36
10.2.3	Writing a File at a Specified Path	37
10.2.4	Creating a File at a Specified Path	37
10.2.5	Creating a File at a Specified Path With Pin Protection	37
11	Revision History	39

Figures

Figure 1.	ISO 7816-3 Asynchronous Protocol	11
Figure 2.	Basic Hardware For 5V Card Interface	12
Figure 3.	Contact Definitions for Smart Cards	13
Figure 4.	Reader and Card FSM	15
Figure 5.	Answer to Reset	16
Figure 6.	Application Communication Architecture.	21
Figure 7.	The Command APDU Structure	22
Figure 8.	The Response APDU Structure	22
Figure 9.	The Smart Card File System Architecture.	23
Figure 10.	State Machine for Smart Card Operation	30
Figure 11.	Firmware Package: Directory Tree	35
Figure 12.	Smart Card Example: File System Description	36

Tables

Table 1.	File Library Description	6
Table 2.	Smart Card Pins	10
Table 3.	Pin Assignment	14
Table 4.	The Answer-to-Reset Structure	18
Table 5.	CLA Instruction Set Definitions	20
Table 6.	ISO 7816-4 INS Codes	20
Table 7.	Firmware Package: Directories Description	35

1 File Organization Of The Smart Card Library

The following table presents the library modules:

Table 1. File Library Description

File	Description
Device_SCR.h	Smart Card definitions, types definitions and function prototypes
Device_SCR.c	T0 protocol management
sc.h,sc.c	Physical layer

2 Smart Card Reader Using STR710: Overview

A smart card reader was developed using the STR710 ARM7TDMI powered microcontroller and a basic HW to interface 5V powered smart card.

The Smart Card Library was developed in order to support ISO7816-3/4 specification.

3 Device Description

3.1 STR710 Microcontroller

Here is a brief description of the STR710 microcontroller. Please refer to the STR710 datasheet for a detailed description.

- **Memories**
 - 272KB (256+16K) FLASH program memory (100,000 cycles endurance, data retention 20 years)
 - 64KB RAM
 - External Memory Interface (EMI) for up to 4 banks of SRAM, Flash, ROM
 - Multi-boot capability
- **Clock, Reset and Supply Management**
 - 3.3V application supply and I/O interface
 - Embedded 1.8V voltage regulator for core supply
 - 0 to 16MHz external main oscillator
 - 32kHz external backup oscillator
 - Internal PLL for CPU clock
 - Up to 50MHz CPU operating frequency when executing from flash
 - Realtime Clock for clock-calendar function
 - 4 power saving modes: SLOW, WAIT, STOP and STANDBY modes
- **Nested interrupt controller**
 - Fast interrupt handling with multiple vectors
 - 32 vectors with 16 IRQ priority levels
 - 2 maskable FIQ sources
- **Up to 48 I/O ports**
 - 30/32/48 multifunctional bidirectional I/O
 - 14 ports with interrupt capability
- **5 Timers**
 - 16-bit watchdog timer

Four 16-bit timers each with: 2 input captures, 2 output compares, PWM and pulse counter
- **10 Communications Interfaces**
 - 2 I2C interfaces (1 multiplexed with SPI)
 - 4 UART asynchronous serial communications interfaces
 - Smart Card ISO7816-3 interface on UART1
 - 2 BSPI synchronous serial interfaces
 - CAN interface (2.0B Active)

- USB v 2.0 Full Speed (12Mbit/s) Device Function with Suspend and Resume support
- HDLC synchronous communications interface
- **4-channel 12-bit A/D Converter**
 - Conversion time:
 - 4 channels: up to 500Hz (2 ms)
 - 1 channel: up to 1kHz (1 ms)
 - Conversion range: 0 to 2.5V
- **Development Tools Support**
 - JTAG with debug mode trigger request

4 SC Peripheral Description

4.1 Introduction

The SmartCard Interface is an extension of UART1; for the description of the UART registers, please refer to STR710 datasheet. The SmartCard interface is designed to support asynchronous protocol SmartCards as defined in the ISO7816-3 standard.

With SmartCard mode enabled, UART1 is configured as:

- eight data bits plus parity
- 0.5 or 1.5 stop bits

A 16 bit counter and the SmartCard clock generator provide the clock to the SmartCard. GPIO bits in conjunction with software are used to provide the rest of the functions required to interface to the SmartCard.

The inverse signalling convention as defined in ISO7816-3, inverted data and MSB first, is handled in the software.

4.2 External Interface

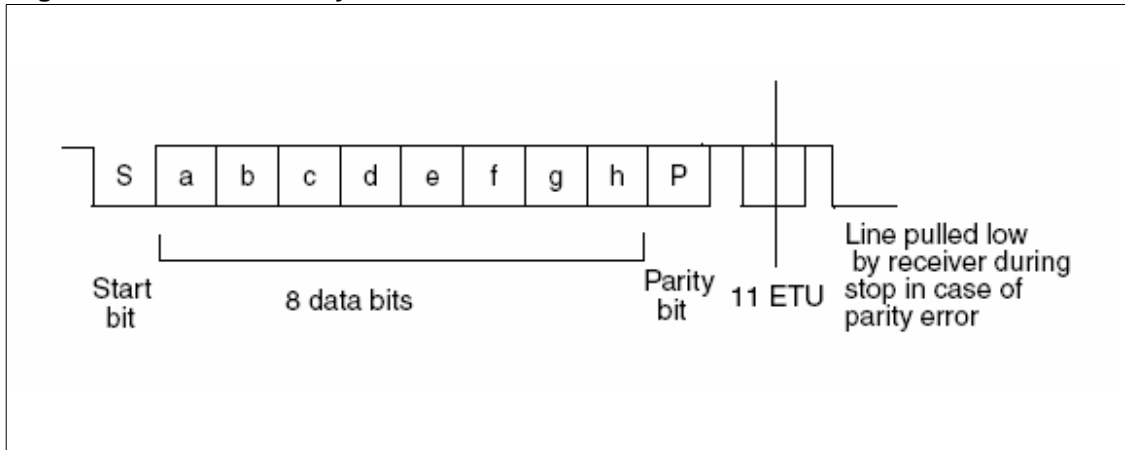
Table 2. Smart Card Pins

Pin Number	Pin Name	Function
P0.12	SCClk	Smart card clock
P0.10	I/O	I/O serial data: open drain @ both ends
Any GPIO	RST	Reset to card
	VCC	Supply voltage
	Vpp	Programming voltage

The ScRST, ScCmdVpp (command for Vpp), ScCmdVcc (command for Vcc), and ScDetect signals (signal for card detection) are provided by GPIO bits of the IO ports under software control. Programming the GPIO bits of the port for alternate function modes connects the UART TXD data signal to the ScDataOut pin with the correct driver type and the clock generator to the ScClk pin.

4.3 Protocol

The ISO standard defines the bit times for the asynchronous protocol in terms of a time unit called an ETU which is related to the clock frequency input to the card. One bit time is of length one ETU. The UART transmitter output and receiver input need to be connected together externally. For the transmission of data from the STR71x to the SmartCard, the UART will need to be set up in SmartCard mode.

Figure 1. ISO 7816-3 Asynchronous Protocol

4.4 Smart Card Clock Generator

The SmartCard clock generator provides a clock signal to the connected SmartCard. The SmartCard uses this clock to derive the baud rate clock for the serial I/O between the SmartCard and another UART. The clock is also used for the CPU in the card, if present.

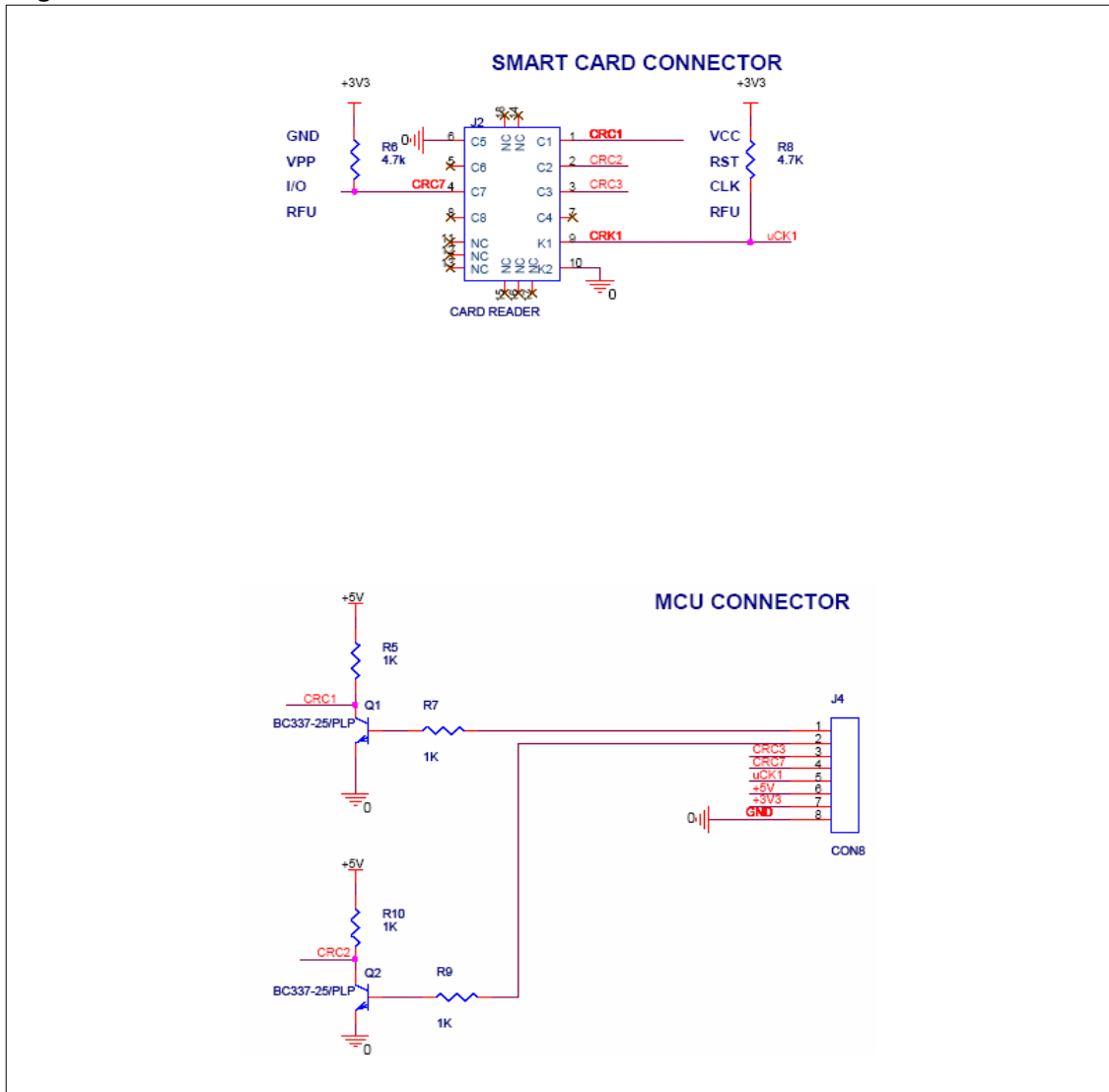
Operation of the Smart Card interface requires that the clock rate to the card is adjusted while the CPU in the card is running code so that the baud rate can be changed or the performance of the card can be increased. The protocols that govern the negotiation of these clock rates and the altering of the clock rate are detailed in ISO7816-3 standard.

The clock is used as the CPU clock for the Smart Card, therefore updates to the microcontroller clock rate must be synchronized to the SmartCard clock, i.e. the clock high or low pulse widths must not be shorter than either the old or new programmed value.

5 SC Reader: Basic Hw For 5v Card

Some adjustments are needed when using a 5V powered smart card. *Figure 2.* shows how to interface a 5V smart card with the microcontroller (STR710):

Figure 2. Basic Hardware For 5V Card Interface



6 SC ISO7816: Protocol Overview

6.1 Introduction

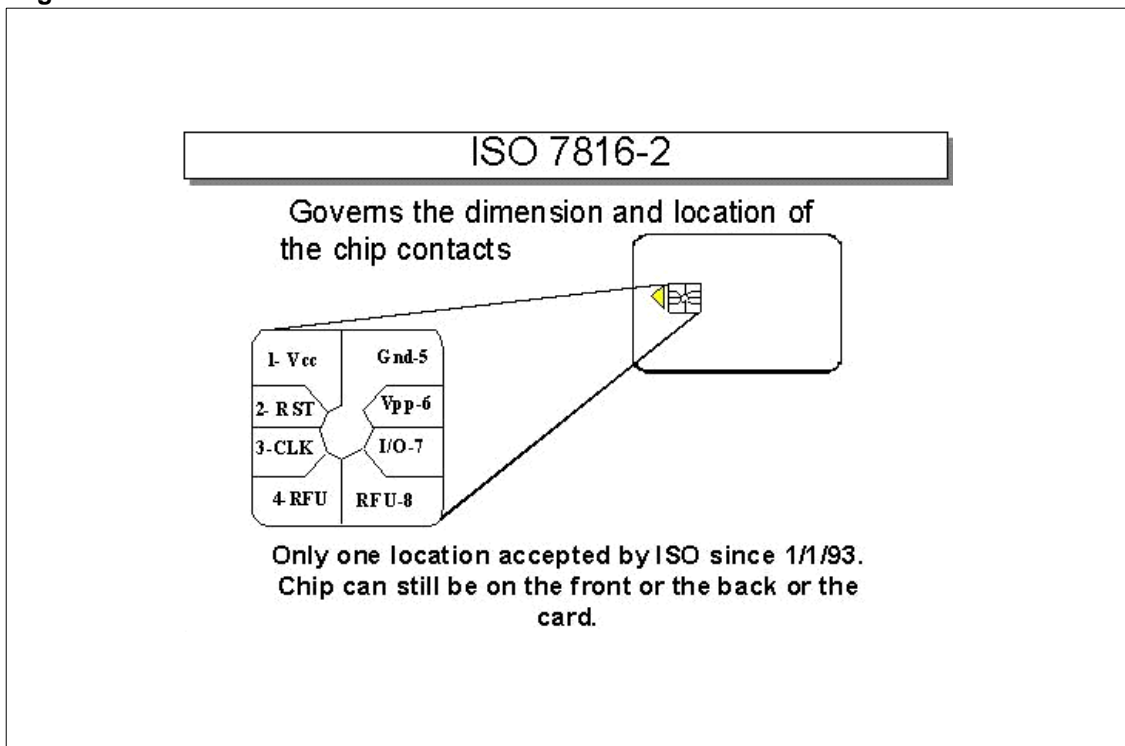
"ISO7816: Identification Cards Integrated Circuit(s) Cards with Contacts" provides the basis to transition the relatively simple identification card from a token that can be compromised through forgery, theft, or loss into a tamper-resistant and "intelligent" integrated circuit card (ICC), more popularly known as a smart card. ISO 7816 includes at least six approved parts and has several additional parts under review:

- Part 1, Physical characteristics
- Part 2, Dimensions and location of the contacts
- Part 3, Electronic signals and transmission protocols
- Part 3, Amendment 2-Revision of protocol type selection
- Part 4, Inter-industry commands for interchange
- Part 5, Numbering system and registration procedure for application identifiers

6.2 ISO 7816-2 - Pins Location

ISO 7816-2 specifies an ICC with eight electrical contacts present in a standardized position on the front face of the card. These are referred to as C1 through C8. Some of these contacts are electrically connected to the microprocessor chip embedded within the card; some are not, having been defined to allow for enhancements but unused at the present time. The picture below depicts the contacts positions.

Figure 3. Contact Definitions for Smart Cards



6.2.1 Pin Assignment

Table 3. Pin Assignment

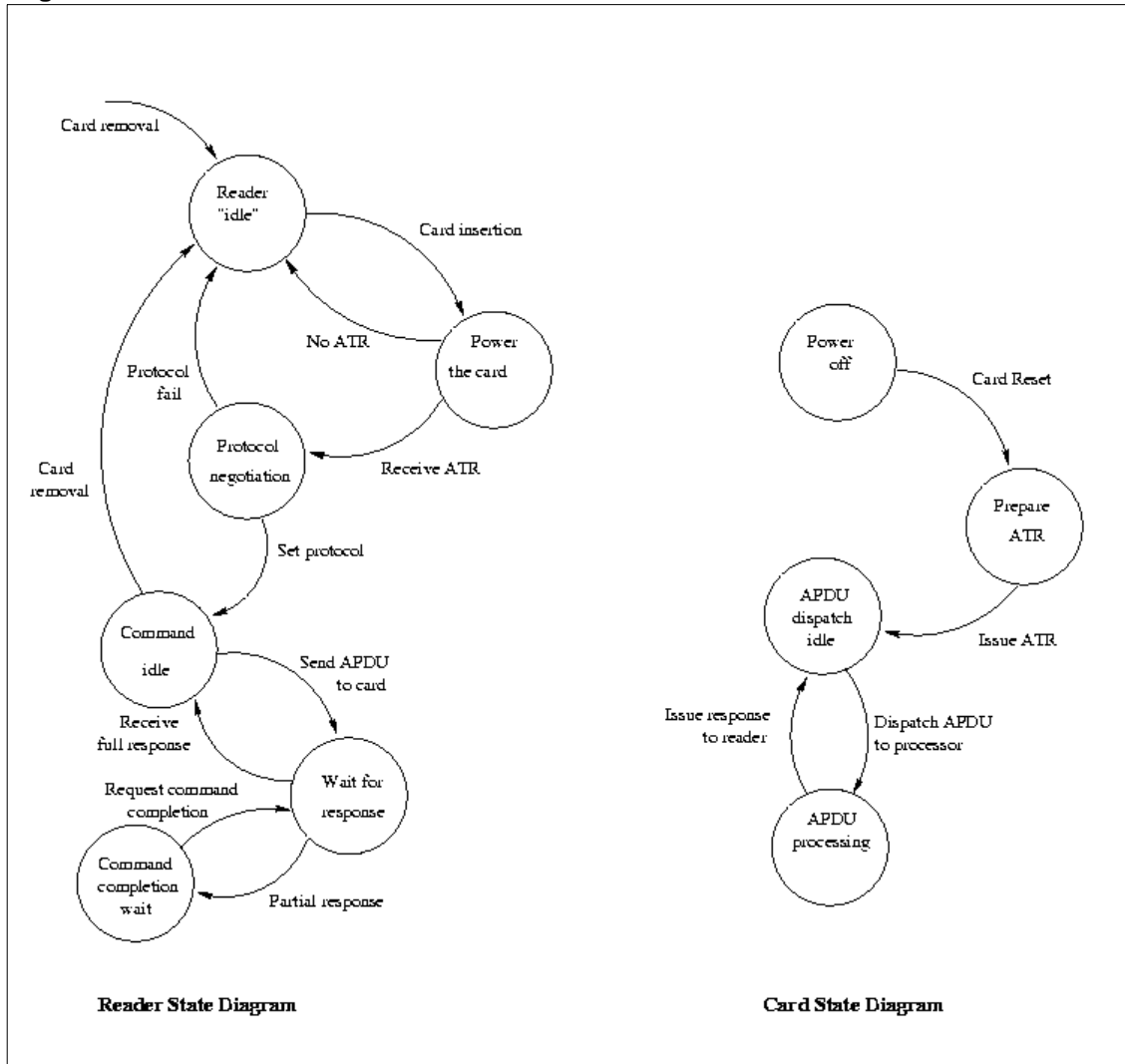
C1: Vcc=5V	C5:Gnd
C2: Reset	C6: Vpp
C3: Clock	C7: I/O
C4: RFU	C8: RFU

7 ISO 7816-3 - Electronic Signal and Transmission Protocol

ISO 7816-3 begins to delve into the specification of the "intelligent" aspects of the smart card. This standard describes the relationship between the smart card and the reader as one of "slave" (the smart card) and "master" (the reader). Communications are established by the reader signaling to the smart card through the contacts noted previously and are continued by the smart card responding accordingly.

Communication between the card and reader proceed according to various state transitions illustrated in [Figure 3.](#)

Figure 4. Reader and Card FSM



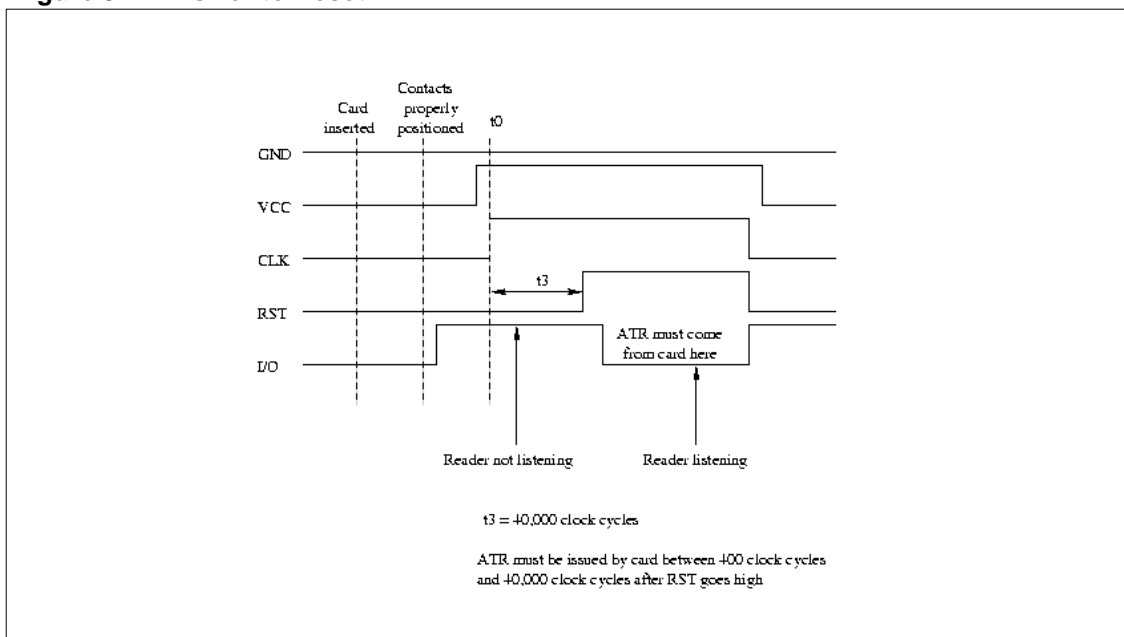
The communication channel is single-threaded; once the reader sends a command to the smart card, it blocks until a response is received.

7.0.1 Card Power-on and Reset

When a card is inserted into a reader, no power is applied to any of the contacts. The chip on the card could be seriously damaged by applying power to the wrong contacts, and this situation could easily occur if a card were inserted across powered contact points. The contacts remain unpowered until an edge detector determines that the card is properly aligned with the contact points to within some acceptable (for the reader) mechanical tolerance.

When the reader detects that the card is properly inserted, power is applied to the card. First, the contacts are brought to a coherent idle state, as shown in Table 3.4. A reset signal is then sent to the card via the RST contact line. The idle state occurs when the power (VCC) contact is brought up to a normal, stable operating voltage of 5V. An initial power setting of 5V is always applied first, even though some microprocessor chips being introduced operate at 3V when in an I/O state. The I/O contact is set to a reception mode on the reader side and a stable clock (CLK) is applied. The reset line is in a low state. It must remain in a low state for at least 40,000 CLK cycles before a valid reset sequence can be started by the reader, raising the reset line to a high state.

Figure 5. Answer to Reset



7.0.2 Data Transfer

Data transfer between the reader and the card occurs through the concerted action of two of the contact lines: CLK and I/O. The I/O line conveys a single bit of information per unit of time as defined by the CLK depending on its voltage relative to GND. A 1 bit can be conveyed either through a +5V value or through a 0V value. The actual convention used is determined by the card and is conveyed to the reader through the "initial character" of the ATR, which is referenced as TS. To transfer 1 byte of information, 10 bits are actually moved across the I/O line; the first is always a "start bit" and the last is always a parity bit used to convey even parity. Considering that the I/O line can be (in one bit period) either in a high (H) state or a low (L) state, the TS character of the form HLHLLLLLLLH signals that the card wants to use the "inverse convention," meaning that H corresponds to a 0 and L corresponds to a 1. A TS

character of the form HLHHLHHLLH signals that the card wants to use the "direct convention," meaning that H corresponds to a 1 and L corresponds to a 0.

The direct convention and the inverse convention also control the bit ordering with each byte transferred between the card and the reader. In the direct convention, the first bit following the start bit is the low-order bit of the byte. Successively higher-order bits follow in sequence. In the inverse convention, the first bit following the start bit is the high-order bit of the byte. Successively lower-order bits follow in sequence. Parity for each byte transferred should be even; this means that the total number of 1 bits in the byte, including the parity bit, must be an even number.

The I/O line comprises a half-duplex channel; that is, either the card or the reader can transmit data over the same channel, but they both cannot be transmitting at the same time. So as part of the power-up sequence, both the reader and the card enter a receive state in which they are listening to the I/O line. With the commencement of the reset operation, the reader remains in the receive state while the card must enter a send state in order to send the ATR back to the reader. From this point on, the two ends of the channel alternate between send states and receive states. With a half-duplex channel, there is no reliable way for either end to asynchronously change a state from send to receive or from receive to send. Rather, if this is desired, that end must go into a receive state and allow a time-out of the operation in progress; then a reader end will always try to re-establish a known sequence by re-entering a send state.

The CLK and I/O lines can support a wide variety of data transmission speeds. The specific speed is defined by the card and is conveyed back to the reader through an optional character in the ATR. The transmission speed is set through the establishment of one bit time on the I/O line, which means that an interval is established at which the I/O line may be sampled in order to read a bit and then each successive bit. This time is defined as an elementary time unit (etu) and is established through a linear relationship between several factors. Note that the TS character was returned before any definition of the etu could be made. This is possible because the etu during the ATR sequence is always specified to be $etu_0 = 372 / (\text{CLK frequency})$ where the CLK frequency is always between 1MHz and 5 MHz; in fact, the frequency is almost always selected such that the initial data transfer rate is 9,600 bits per second.

7.0.3 Answer to Reset: ATR

Once an RST signal is sent from the reader to the card, the card must respond with the first character of the ATR within 40,000 CLK cycles. The card might not respond with an ATR for a number of reasons, the most prevalent being that the card is inserted incorrectly into the reader (probably upside down). In some instances, the card may not be functioning because it has been damaged or broken. Whatever the case, if the ATR is not returned within the prescribed time, the reader should begin a sequence to power down the card. During this sequence, the reader sets the RST, CLK, and I/O lines low and drops voltage on the VCC line to nominal 0 (that is, less than 0.4V).

The ATR is a string of characters returned from the card to the reader following the successful completion of the power-up sequence. As defined in ISO/IEC 7816-3, the ATR consists of 33 or fewer characters comprising the following elements:

- TS - a mandatory initial character
- T0 - a mandatory format character
- T_{Ai} T_{Bi} T_{Ci} T_{Di}-optional interface characters
- T1, T2, T_K-optional historical characters
- T_{CK} - a conditional check character

The historical characters can be defined at the discretion of the card manufacturer or the card issuer. These characters are typically used to convey some type of designation of the type, model, and use of this specific card. When used in this way, the historical characters provide a modest mechanism through which systems can automatically detect the use of an inserted card (within that system) and can initiate other actions (or software) accordingly. The check character provides a mechanism through which the integrity of the ATR can be measured; that is, whether a transmission error has occurred in sending the characters from the card to the reader.

The structure of the ATR is illustrated in [Table 4](#). As discussed previously, the initial TS character is used to establish the bit-signaling and bit-ordering conventions between the reader and the card. The T0 character is used to signal the presence or absence of subsequent interface characters or historical characters. The interface characters are used to tailor the characteristics of the I/O channel, including the specific protocol used by the card and reader during subsequent exchange of commands (from the reader to the card) and responses (from the card to the reader). The historical characters, if present, are used to convey card-manufacturer-specific information from the card to the read, and hence to the application system being served by the reader. There is really no established standard for the information presented in the historical bits.

The total length of the ATR sequence is limited to 33 bytes and must adhere to the following format:

Table 4. The Answer-to-Reset Structure

	Character ID	Definition
Initial Character Section	TS	Mandatory initial character
Format Character Section	T0	Indicator for presence of interface characters
Interface Character Section	TA ₁	Global, codes F1 and D1
	TB ₁	Global, codes 11 and PI1
	TC ₁	Global, code N
	TD ₁	Codes Y ₂ and T
	TA ₂	Specific
	TB ₂	Global, code PI2
	TC ₂	Specific
	TD ₂	Codes Y ₃ and T
	TA ₃	TA _i , TB _i and TC _i are specific
	...TD _i	Codes Y _{i+1} and T
Historical Character Section	T1	Card specific information
	...TK	(Maximum of 15 characters)
Check Character Section	TCK ₂	Optional check character

7.1 ISO 7816-4 - Smart Card Commands

The previous chapter discussed the answer-to-reset (ATR) mechanism, which establishes a basic communication channel between the smart card and the reader. This channel is a half-duplex physical channel. This chapter investigates the use of more complex protocols on top of this physical channel.

A link-level communication protocol resides directly on top of the physical channel, providing error-free communication between the reader and the smart card. Once this link level protocol is established, application-level protocols can be defined. ISO 7816-4 defines two such application-level protocols:

- File system API providing a set of functions to manipulate files (e.g. read, write, select etc.)
- Security service API allowing the smart card and the reader to mutually authenticate themselves and also to encrypt data to be exchanged between the card and the reader.

ISO 7816-4 defines a protocol message structure to support the application protocol APIs. This message structure consists of application protocol data units (APDUs) which are exchanged between the reader application and the smart card application by the link level protocol. This chapter will provide an overview of the file access and security APIs. A more detailed description can be found in Appendix A, "The ISO 7816-4 Command set".

7.1.1 The T0 Protocol

The T=0 protocol is a byte-oriented protocol where a character is transmitted across the channel between the reader and the card. In addition, error handling is performed on each byte by looking at the parity bit. If the actual parity bit does not correspond to the parity of the transmitted data, then an error must have occurred. In the T=0 protocol, the receiving side signals that it requires the byte to be retransmitted in the case of detecting a parity error. This is done by holding the I/O line low (normally the I/O line is set high preceding the transfer of a byte). When the transmitting side detects this, it resends the byte that was previously received in error.

The reader and the smart card exchange data structures known as transmission protocol data units (TPDUs). It consists of two distinct structures:

- a command that is sent from the reader to the card
- a response that is sent from the card to the reader

The command header includes the following five fields each of one byte in length:

- CLA: class designation of the command set to establish a collection of instructions
- INS: specifies a specific instruction from within the set of instructions
- P1: used to specify the addressing used by the [CLA, INS] instruction
- P2: also used to specify the addressing used by the [CLA, INS] instruction
- P3: specifies the number of data bytes transferred to or from the card as part of the [CLA, INS] instruction execution.

Each value of CLA defines an application-specific set of instructions. [Table 5](#). below lists values for some sets of instructions.

Table 5. CLA Instruction Set Definitions

CLA Byte	Instruction Set
0X	ISO 7816-4 instructions (files and security)
10 to 7F	Reserved for future use
8X or	ISO 7816-4 instructions
AX	Application/vendor specific instructions
B0 to CF	ISO 7816-4 instructions
D0 to FE	Application/vendor specific instructions
FF	Reserved for protocol type selection

The INS byte is used to identify a specific instruction within a class of instructions identified by the value of CLA. [Table 6](#). lists the instructions in the ISO 7816-4 standard used to access file system and security functions.

Table 6. ISO 7816-4 INS Codes

INS Value	Command Name	INS Value	Command Name
0E	Erase Binary	C0	Get Response
20	Verify	C2	Envelope
70	Manage Channel	CA	Get Data
82	External Authenticate	D0	Write Binary
84	Get Challenge	D2	Write Record
88	Internal Authenticate	D6	Update Binary
A4	Select File	DA	Put Data
B0	Read Binary	DC	Update Record
B2	Read Record(s)	E2	Append Record

The parameters P1 and P2 are defined at the link level but are actually dependent on the specific instruction (application level). They provide control or addressing parameters for the various application-specific instructions. For example, in the Select File instruction, P1 is used to indicate how the file will be referred to (by identifier, name, path etc.) and P2 offers further refinement as to which file is to be selected. P3 defines the number of bytes to be transmitted during the execution of the INS specified instruction. The convention used to indicate movement of data is card-centric i.e. outgoing refers to data moving from the card to the reader and incoming refers to data moving from the reader to the card.

For each command TDPDU sent from the reader, a response TPDU is sent by the card. The response includes three mandatory fields and one optional field (all one byte in length):

- ACK: indicates that the card has received the [CLA, INS] command
- NULL: used for flow control on the I/O channel by the card. It signals (to the reader) that the card is still processing the command and so the reader must wait before sending another command
- SW1: status response of the current command
- SW2: (optional) also conveys a status response to the reader

The ACK byte is a repeat of the INS byte from the command TPDU. If the response does not reach the reader within a specified time, the reader may initiate a RST sequence to restart the protocol between the reader and the card. This can be prevented if the reader receives at least one NULL byte from the card. SW1 informs the reader of the result of the requested instruction. The values allowed for SW1 are defined as part of the application protocol. Some instructions require the card to send data to the reader. In this case SW2 is returned to the reader, triggering the reader to execute a GetResponse command. The card will then return the data bytes generated by the execution of the previous command.

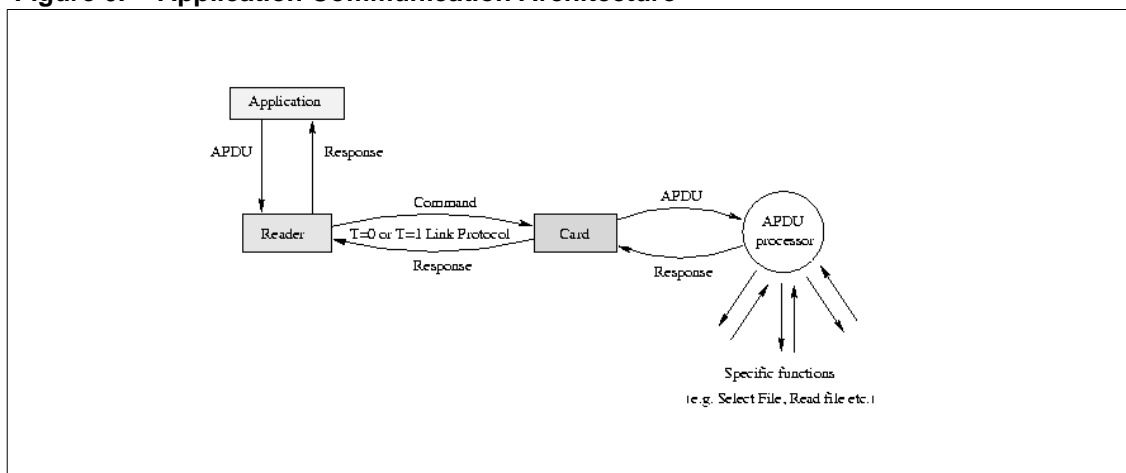
7.2 Application Level Protocols

The ISO 7816-4 standard addresses two areas of functionality for application software:

- File system: A set of functions is provided in the form of an API. By using this API application software on the reader side can access files in the file system.
- Security functions: These can be used to limit access to application software or to files on the card.

The T=0 protocol is used to support application-level protocols between the smart card application and the reader application. These application protocols exchange data structures called application protocol data units (APDUs). The following diagram illustrates this architecture:

Figure 6. Application Communication Architecture

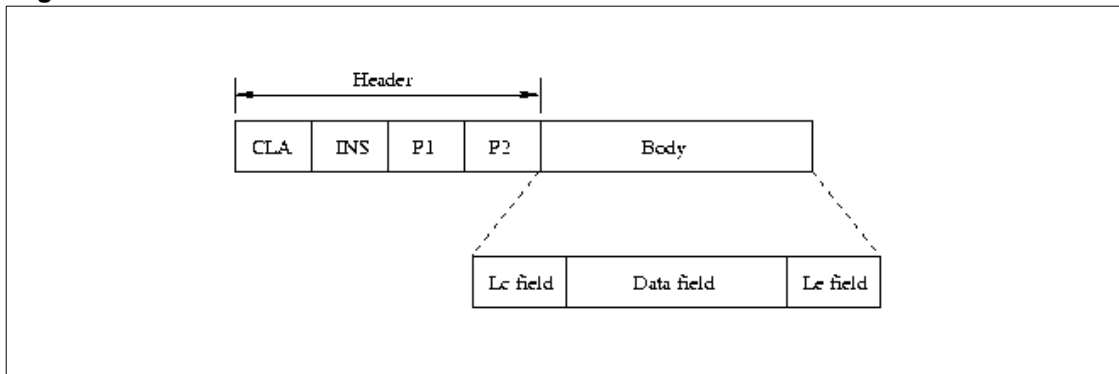


The APDU structure defined by ISO 7816-4 is very similar to the TPDU structure used in the T=0 protocol. In fact, when an APDU is transported by the T=0 protocol, the elements of the APDU directly overlay the elements of the TPDU.

7.2.1 The ISO 7816-4 APDU

There are two types of messages used to support the ISO 7816-4 application protocols: the command APDU (sent from the reader to the card) and the response APDU (sent from the card to the reader).

Figure 7. The Command APDU Structure

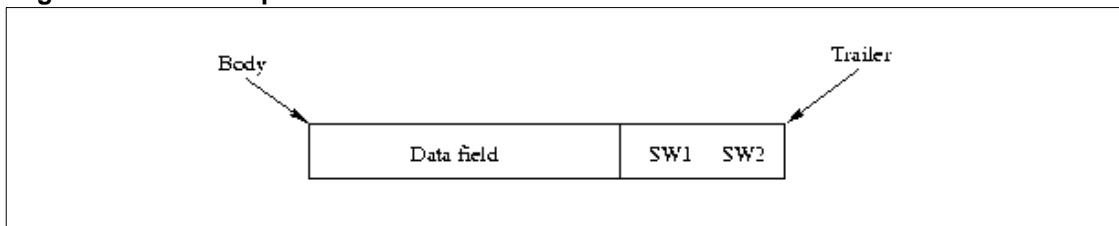


The command APDU consists of a header and a body (this can be seen in the diagram above). The header includes CLA, INS, P1 and P2 fields. As in the T=0 protocol, CLA and INS specify an application class and instruction. P1 and P2 are used to qualify specific instructions and are given specific definitions by each [CLA, INS] instruction. The body of the APDU can vary in size and is used to transmit data to the card's APDU processor as part of a command or to convey a response from the card to the reader. The Lc field specifies the number of bytes to be transmitted to the card as part of the instruction i.e. the length of the data field. The data field contains information that must be sent to the card to allow its APDU processor to execute the command specified in the APDU. The Le field specifies the number of bytes that will be returned to the reader in the response APDU.

The body of the APDU can take on four different forms:

- Case 1: No data is transferred to or from the card, so the APDU only contains the header.
- Case 2: No data is transferred to the card, but data is returned from the card. The body of the APDU only contains a non-null Le field.
- Case 3: Data is transferred to the card, but none is returned from it. The body of the APDU includes the Lc and data fields.
- Case 4: Data is transferred to the card and is also returned from the card as a result of the command. The body of the APDU includes the Lc, data and Le fields.

Figure 8. The Response APDU Structure



The response APDU has a much simpler structure than that of the command APDU. It consists of a body and a trailer. The body is either null or it includes a data field - depending on the specific command. The length of the data field is determined by the Le field in the corresponding command APDU. The trailer consists of up to two fields of status information

called SW1 and SW2. These fields return a status code in which one byte is used to specify an error category and the other is used to specify a command-specific status or error indication.

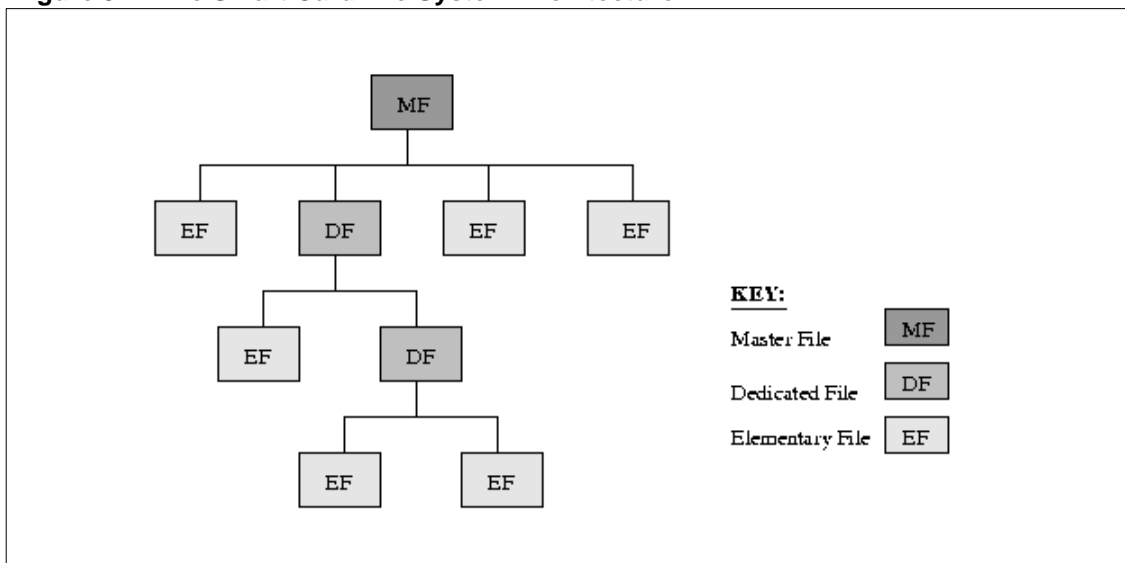
7.2.2 The File System API

The file system is used on the nonvolatile memory or EEPROM. It is defined as a simple hierarchical structure (similar to conventional file systems). The file system may contain three types of files (identified by a 2-byte identifier):

- Master file (MF)
- Dedicated file (DF)
- Elementary file (EF)

There is one master file found on each smart card and it is the root of the file system. A master file may contain dedicated files or elementary files. The file identifier reserved for the master file is 3F00. The directory file is essentially a container (or directory) for elementary files - a DF may contain zero or more EFs. Dedicated files partition the smart card into an ordered structure of elementary files. A dedicated file must be given a unique file identifier within the dedicated file or master file that contains it - allowing for a unique path for each file. A dedicated file can also be referenced by name (1-16 bytes long). The naming convention can be found in ISO 7816-5. An elementary file is a leaf node in the hierarchy and contains the actual data. An elementary file can be identified by a 5-bit identifier within a dedicated file. This file system hierarchy is illustrated in [Figure 9](#).

Figure 9. The Smart Card File System Architecture



There are four types of elementary files:

- Transparent file
- Linear, fixed-length record file
- Linear, variable-length record file
- Cyclic, fixed-length record file

A transparent file is essentially a string of bytes i.e. an unstructured binary file. Consequently a byte offset from the start of the file is required when data is to be read or written to this type of file. In addition, a command to read or write to a transparent file will contain the length of the byte string to be read or written to the file.

Fixed and variable length files contain records that are identified by a sequence number. In a fixed-length record file, all the records contain the same number of bytes. In contrast, a variable-length record file contains records that may vary in length. As a result, variable-length record files have a higher overhead in read/write access times as well as a higher administrative overhead required by the file system.

A cyclic file allows applications to access records in a consistent and transparent manner. It can be thought of as a ring of files. Write operations are performed on the next physical record in the ring.

7.2.3 The ISO 7816-4 Functions

The few functions that are defined in ISO 7816-4 for selecting, reading and writing to files will be briefly discussed below.

Select File:

This command establishes a logical pointer to a particular file in the smart card's file system. This pointer is required for any file manipulation operation. Access to the smart card's file system is not multithreaded, however it is possible to have several file pointers defined at any point in time. This is accomplished by the Manage Channel command, which establishes multiple logical channels between the reader side application and the card. This allows different files on the card to be in various states of access by the reader application at the same time.

The identification of the file can be provided in the following ways:

- file identifier (2-byte value)
- DF name (string of bytes)
- path (concatenation of file identifiers)
- short ID

Note that not all smart cards support all four naming mechanisms.

Read Binary:

This command is used by the application on the reader side to retrieve a part of an EF on the card. However, the EF must be a transparent file (not record-oriented). If the Read Binary command is attempted on a record-oriented EF, the command will abort with an error indicator being returned from the card.

The Read Binary command takes two parameters: an offset pointer from the start of the file to the initial byte to be read, and the number of bytes to be read and returned to the reader.

Write Binary:

This command is used to insert data into a transparent EF on the card. This command can be used to set a series of bytes in the EF (i.e. set selected bits within a specified byte to a value of 1), clear a series of bytes or perform a write of a series of bytes in the EF.

Update Binary:

A reader-side application can utilize this command to directly erase and store a contiguous sequence of bytes in a transparent EF on the card. It effectively functions as a write command i.e. a string of bytes provided in the command are written into the EF on the card. The input parameters consist of an offset pointer from the start of the file as well as the number of bytes to be written.

Erase Binary:

The Erase Binary command is used to clear bytes within a transparent EF on a card. Similarly to the previous commands, the input parameters comprise an offset from the start of the EF to the segment of bytes to be erased as well as the number of bytes to be erased.

Read Record:

This command is used to read and return the contents of one or more records in an EF on a card. Unlike the previous command, the EF for the Read Record command must be a record-oriented file. If it is applied to a transparent EF, the command will abort and an error will be returned to the reader.

The following may be returned from this command, depending on the input parameters:

- A specified record
- All the records from the beginning of the file to a specific record
- All the records from a specific record to the end of the file

Write Record:

This command is used to write a record into a record-oriented EF. As with the Write Binary command, this command can be used to write a record into an EF, set or clear specific bits within a specific record in an EF.

Append Record:

The Append Record command is used to add a record to the end of a linear, record-oriented EF or to write the first record to a cyclic, record-oriented EF on a card.

Update Record:

This command writes a specific record into a record-oriented EF on a card. As with the Update Binary command, the old record is erased and the new one is written into the EF.

Get Data:

This command reads and returns the contents of a data object stored within the file system on the card. The Get Data command is card-specific as the definition of a data object varies between different cards.

Put Data:

This command (as the name suggests) puts information into a data object on the card. As with the previous command, this is a card-specific command.

7.2.4 The Security API

Each component of the file system on a smart card has an associated list of access properties. The access properties ensure that only authorized parties are allowed to access the particular component of the file system. The authentication can be simple, such as requiring the reader to provide a predefined personal identification number (PIN). Alternatively, it may be more complicated, such as requiring the reader to prove that it possess some shared secret with the card (e.g. a key) by encrypting or decrypting a string of bytes provided by the card.

A few of the functions provided by the security API are briefly discussed below.

Verify:

This command is sent by the application on the reader side to the security system on the card. Its purpose is to convince the card that the reader knows a password maintained by the card in order to restrict access to sensitive information stored on the card. The password-type information may be associated with a specific file or to some or all of the file hierarchy. If the Verify command fails i.e. the reader provides an incorrect password, an error is returned to the reader.

Internal Authenticate:

This command allows the card to authenticate itself to the reader by proving that it possesses a secret key shared with the reader. The reader application software first generates a random number and encrypts it with some algorithm known to both card and reader. This constitutes a challenge to the card. The card then decrypts this challenge with the secret key (that is stored on the card) and sends the resulting data back to the reader. If the data received by the reader matches the random number that it generated then the reader application software is assured of the identity of the card.

External Authenticate:

This command is used in conjunction with the Get Challenge command to enable the reader application software to authenticate itself to the card. The reader receives challenge data (a random number) from the card and encrypts it with a secret key. This is then sent to the card using the External Authenticate command. The card decrypts the data and compares it to the random number that it generated in the previous Get Challenge command. If there is a match, then the card is assured of the identity of the reader application.

Get Challenge:

This command is sent by the reader to the card. Its purpose is to provide the reader application with a random number generated by the smart card. As previously described, this number is used in the External Authenticate command.

Manage Channel:

The Manage Channel command is used by the reader application to open and close the logical communication channels between it and the card. Initially the card opens a basic communication channel by establishing an application-level protocol with the reader application through the completion of an ATR sequence. This channel is then used to open or close additional logical channels through the Manage Channel command.

Envelope:

This command supports the use of secure messaging using the T=0 protocol. It enables an APDU to be encrypted and then incorporated into the Envelope command's data section (of its APDU). The APDU processor on the card can then extract and execute the command.

Get Response:

As with the previous command, the Get Response command allows the use of the T=0 protocol for transferring APDUs. The Case 4 type of APDU cannot be supported by the T=0 protocol i.e. it is not possible to send a block of data to the card and then receive a block of data in return. So when using the T=0 protocol, the initial command results in a response which indicates that more data is waiting to be sent by the card. The Get Response command is then used to retrieve this data.

8 SC Reader Lib: Description

The user may access a Smart card using directly the application layer. It allows to send/receive ADPU commands to/from the smart card using the following user interface:

- **u8 SC_Handler** (u8 SC_Action, u8 *Data_to_SC, u8 Data_lenght, u8 P1, u8 P2, SC_State *SC_state, u16 *CmdStatus, u8 *Data_from_SC)

8.1 SC parameters

8.1.1 SC_Action

The user has to specify which action he wants to perform on the smart card using the SC_Action parameter. Actions available are:

- **Data Area Management commands**

- SC_SELECT_FILE
- SC_GET_RESPONCE
- SC_STATUS
- SC_UPDATE_BINARY
- SC_READ_BINARY
- SC_WRITE_BINARY
- SC_UPDATE_RECORD
- SC_READ_RECORD

- **Administrative Commands**

- SC_CREATE_FILE

- **Safety Management Commands**

- SC_VERIFY
- SC_CHANGE
- SC_UNBLOCK
- SC_EXTERNAL_AUTH
- SC_GET_CHALLENGE

- **Answer to Reset Commands**

- SC_GET_A2R

8.1.2 SC_State

SC_State informs the user about the smart card state and allows to power off the smart card. The smart card states are:

- SC_POWER_OFF
- SC_POWER_ON

- SC_RESET_LOW
- SC_RESET_HIGH
- SC_ACTIVE
- SC_ACTIVE_ON_T0

- **SC_POWER_OFF**

No power is provided to the smart card ($V_{cc}=0$); the STR7 smart card peripheral is disabled. No clock is provided to smart card.

- **SC_POWER_ON**

The smart card peripheral is enabled and initialized; no power is provided to the smart card; no clock is provided to the smart card.

- **SC_RESET_LOW and SC_RESET_HIGH**

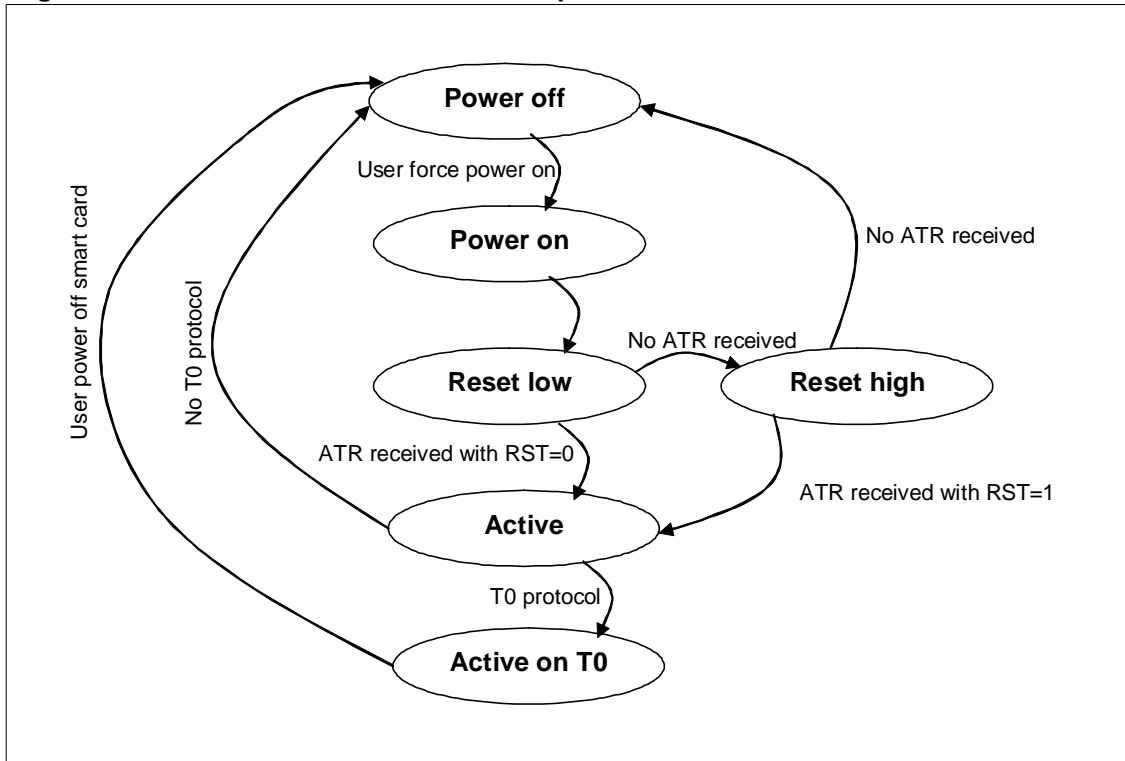
In SC_RESET_LOW RST, the pin on the smart card (pin 2) is hold to zero ($RST=0$). $V_{cc}=5V$ is provided to the smart card; clock CLK is provided to the smart card. Answer to reset (ATR) procedure begins. The reader waits for an ATR frame from the smart card. If no answer is received, the reader forces reset pin RST high ($RST=1$) and waits again for an answer to reset in the SC_RESET_HIGH state.

- **SC_ACTIVE**

If an answer to reset is received, the reader goes in active state and decodes the ATR frame. It returns information about the used protocol.

- **SC_ACTIVE_ON_T0**

If the used protocol is T0, the reader goes in SC_ACTIVE_ON_T0 state and allows to send commands to the smart card.

Figure 10. State Machine for Smart Card Operation

8.1.3 CmdStatus

CmdStatus retrieves the smart card status response related to the selected ADPU command according the ISO7816 standard.

Possible card answers:

- SC_EF_SELECTED
- SC_DF_SELECTED
- SC_OP_TERMINATED
- SC_DF_EXISTENT
- SC_EF_NOT_SELECTED
- SC_ID_NOT_FOUND
- SC_MEMORY_PROBLEM
- SC_WRONG_HEADER
- SC_WRONG_P1_P2
- SC_WRONG_LC_LE

8.2 How to Send ADPU Commands to SC

A detailed description on how to use the SC_Handler() function to send the ADPU command to SC and retrieve the card response is found below.

8.2.1 SC_SELECT_FILE

- **SC_Handler** (SC_SELECT_FILE, (u8 *) FileName, NULL_PARAM, NULL_PARAM, &SC_state, &u16_status, void_pointer)

- **Input**

- FileName

- It contains the 16 bit file identifier and the file type (EF or DF).

- Example:

- 1) UserFile={0xAA,0xBB,EF}

- 2) UserDir={0xA0,0x00,DF}

- **Output**

- SC_state

- It returns the current smart card state

- u16_status

- It returns the smart card response to SC_SELECT_FILE command

8.2.2 SC_GET_A2R

- **SC_Handler** (pvoid, NULL_PARAM, NULL_PARAM, NULL_PARAM, &SC_state, &u16_status, A2Rframe)

- **Input**

- No input

- **Output**

- SC_state

- It returns the current smart card state

- u16_status

- It returns the smart card response to SC_SELECT_FILE command

- A2Rframe

- Pointer to an array which contains the smart card ATR frame

8.2.3 SC_GET_RESPONSE

- **SC_Handler** (pvoid, NULL_PARAM, NULL_PARAM, NULL_PARAM, &SC_state, &u16_status, response)

- **Input**

- No input

- **Output**

- SC_state

- It returns the current smart card state

- u16_status

It returns the smart card status response to SC_GET_RESPONSE command

- response

It returns the smart card data response to SC_GET_RESPONSE command

8.2.4 SC_READ_BINARY

- **SC_Handler** (SC_RAED_BINARY, FileName, Byte_number, Offset_high, Offset_low, &SC_state, &u16_status, responce)

- **Input**

- FileName

It contains the 16 bit file identifier

Example:

1) UserFile = {0xAA,0xA0}

- Byte_number

It contains size area (in byte) to read (valid only for EF)

- Offset_high, Offset_low

It contains the 16 bits offset where reading begins

- **Output**

- SC_state

It returns the current smart card state

- u16_status

It returns the smart card status response to SC_READ_BINARY command

- response

- It returns the smart card data to read

8.2.5 SC_CREATE_FILE

- **SC_Handler** (SC_CREATE_FILE, FileName, FileSize, NULL_PARAM, NULL_PARAM, &SC_state, &u16_status,pvoid)

- **Input**

- FileName

It contains the 16 bit file identifier and the file type (EF or DF).

Example:

1) UserFile = {0xAA,0xA0, EF}

- FileSize

It contains size area (in byte) to allocate (valid only for EF)

- **Output**

- SC_state

It returns the current smart card state

- u16_status

- It returns the smart card status response to SC_CREATE_FILE command

8.2.6 SC_UPDATE_BINARY

- **SC_Handler** (SC_UPDATE_BINARY, FileUpdate, ByteNumber, Offset_high, Offset_low, &SC_state, &u16_status, pvoid)

- **Input**

- FileUpdate

Pointer to the array of byte to write

- ByteNumber

It contains size area (in byte) to read (valid only for EF).

- Offset_high, Offset_low

It contains the 16 bits offset where writing begins

- **Output:**

- SC_state

It returns the current smart card state

- u16_status

It returns the smart card status response to SC_UPDATE_BINARY command

8.2.7 SC_VERIFY

- **SC_Handler** (SC_VERIFY, Password, PWD_LENGTH, NULL_PARAM, SC_VERIFY_PINX, &SC_state, &u16_status, pvoid)

- **Input**

- Password

Pointer to the 8 byte array containing the pin to verify

- PWD_LENGTH

It contains a constant fixed to 8.

- SC_VERIFY_PINX

It indicates the PIN to verify (X=1...4).

- **Output**

- SC_state

It returns the current smart card state

- u16_status

It returns the smart card status response to SC_UPDATE_BINARY command.

9 SC Reader Lib: Parity Error Management

In the T=0 protocol error handling is performed on each byte by looking at the parity bit. If the actual parity bit does not correspond to the parity of the transmitted data, then an error must have occurred; the receiving side signals that it requires the byte to be retransmitted in the case of detecting a parity error. This is done by holding the I/O line low (normally the I/O line is set high preceding the transfer of a byte). When the transmitting side detects this, it resends the byte that was previously received in error.

9.1 Data Sent From Card to Reader

STR71xx is able to detect via HW a parity error on a received data pulling down the data line during the stop bit.

9.2 Data Sent From Reader to Card

Vice versa if the smart card pulls down the I/O line to signal that a parity error occurred, the user needs to check it by SW in order to resend the last data.

The SC library uses the **Uart_ByteSend_SCirq** funtion (sc.c file) in conjunction with:

- **SC_ParityErrorIRQHandler(void)** (device_SCR.c file) funtion which checks if the parity error occurs and manages it.

Each time the **Uart_ByteSend_SCirq** function is called it:

- sends a byte
- enables the reception (**UART_RxConfig(UART1 ,ENABLE)**) in order to capture the transmitted byte
- enables the Frame error interrupt source

After a byte is sent from the microcontroller to the card, the smart card peripheral captures the data sent on the I/O line. If a parity error is detected from the card, the I/O line is pulled down during the stop bits. A frame error event occurs and the related irq event invokes the **SC_ParityErrorIRQHandler(void)** function. It resends the last data and disables the irq source.

10 SC Reader Example

An example is provided in conjunction with the smart card library in order to help the user to develop its custom application.

The example provides simple operations with a smart card such as file system exploration, files and directories creation, read/write operation on files and pin verify on protected files.

10.1 Firmware Package Description

The **STR71x_SCLib_v02** firmware package contains both the smart card library and the example described in this section.

Figure 11. shows the directory tree. It consists of three main directories:

Figure 11. Firmware Package: Directory Tree

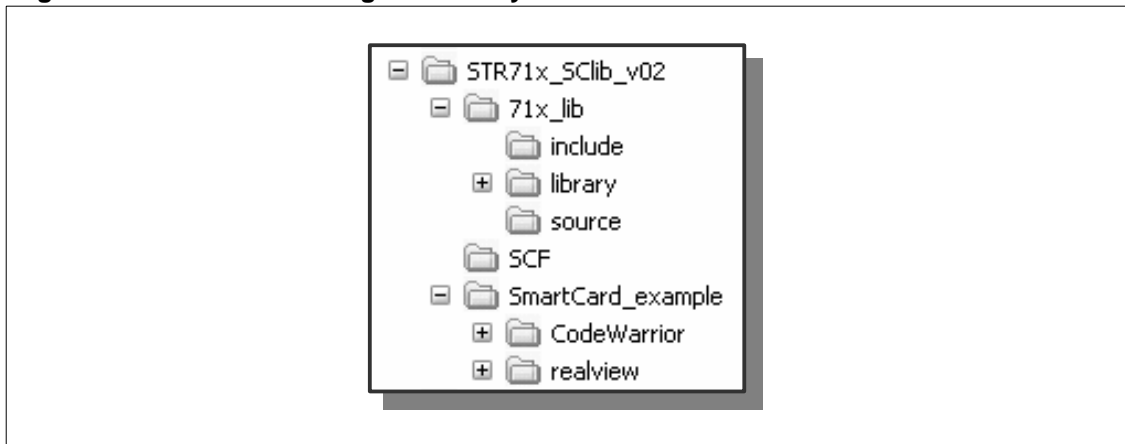


Table 7. Firmware Package: Directories Description

Directory	Description
71x_lib	It contains STR71xx lib files
SCF	It contains the scatter files
SmartCard_Example	It contains: - main.c, 71x_it.c and 71x_conf.h files - realview project

To run the example open the STR7_SC.prj file in the SmartCard_Example/realview directory.

10.2 Firmware Description

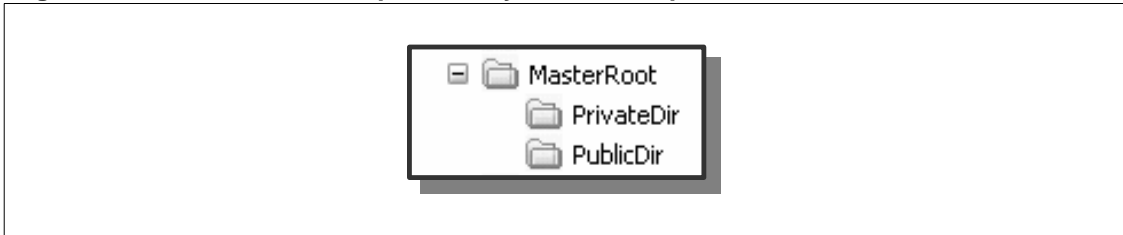
Three directories have been defined for the smart card directory tree:

MasterRoot[3]={0x3f,0x00,MF};

PrivateDir[3]={0xCA,0x00,DF};

```
PublicDir[3]={0xDD,0x00,DF};
```

Figure 12. Smart Card Example: File System Description



At the end of the example:

- the **PrivateDir** directory will contains the **PrivateFile** file;
- the **PublicDir** directory will contains the **PublicFile** file;
- the **MasterRoot** directory will contains the **PwdFile** file;

The definition and the related file identifier code:

```
PrivateFile[3]={0xCA,0xA1,EF};
```

```
PublicFile[3]={0xCD,0x00,EF};
```

```
PwdFile[3]={0xDD,0xDD,EF};
```

10.2.1 Smart Card Start Up: Answer to Reset (A2R)

The first action to perform when the reader wants to access a card is the answer to reset procedure. To this aim user has to invoke the SC_Handler as follows:

```
SC_state=SC_POWER_ON;
while (SC_state!=SC_ACTIVE_ON_T0)
SC_Handler (SC_GET_A2R, pvoid, NULL_PARAM, NULL_PARAM,
             NULL_PARAM, &SC_state, &u16_status, card);
```

When a card is detected the A2R sequence is generated, received and decoded. If the recognized protocol is the T0 protocol, the smart card state of the reader will be active (SC_ACTIVE_ON_T0) and the smart card will be available for operations on the file system.

10.2.2 Reading a File at aSpecified Path

Suppose the specified path reading begins is:

```
MasterRoot/PrivateDir/PrivateFile
```

To reach it the user has to perform the following actions:

```
SC_Handler (SC_SELECT_FILE, (u8 *) MasterRoot, NULL_PARAM, NULL_PARAM,
             NULL_PARAM, &SC_state, &u16_status, card);
SC_Handler (SC_SELECT_FILE, (u8 *) PrivateDir, NULL_PARAM, NULL_PARAM,
             NULL_PARAM, &SC_state, &u16_status, response);
```

```
SC_Handler (SC_SELECT_FILE, (u8 *) PrivateFile, NULL_PARAM,
NULL_PARAM, NULL_PARAM, &SC_state, &u16_status, response);
```

Once the selected path is accessed, the user has to define the 16bit offset where he wants to read and the number of bytes he wants to read:

```
offset_low=1;
```

```
offset_high=0;
```

```
byte_number=3;
```

```
SC_Handler (SC_READ_BINARY, (u8 *) PrivateFile, byte_number, offset_high, offset_low,
&SC_state, &u16_status, response);
```

10.2.3 Writing a File at a Specified Path

Suppose the user wants to write the **PublicFile** in the **MasterRoot**. He has to define the 16bits offset where he wants to read and the number of bytes he wants to read.

In the example, **FileParamST array** will store the sequence the user wants to write.

```
offset_low=1;
```

```
offset_high=0;
```

```
byte_number=18;
```

```
FileParamST[40]="SmartCardDemo";
```

```
SC_Handler (SC_UPDATE_BINARY, (u8 *) FileParamST, byte_number,
offset_high, offset_low, &SC_state, &u16_status, response);
```

10.2.4 Creating a File at a Specified Path

Suppose the user wants to create a file in the **MasterRoot**.

```
SC_Handler (SC_SELECT_FILE, (u8 *) MasterRoot, NULL_PARAM, NULL_PARAM,
NULL_PARAM, &SC_state, &u16_status, card);
```

```
SC_Handler (SC_CREATE_FILE, (u8 *) PublicFile, 20, NULL_PARAM, NULL_PARAM,
&SC_state, &u16_status, response);
```

Where **20** is the size (in byte) of PublicFile.

10.2.5 Creating a File at a Specified Path With Pin Protection

Suppose the user wants to create a file in the **MasterRoot/PublicDir** directory.

```
SC_Handler (SC_SELECT_FILE, (u8 *) MasterRoot, NULL_PARAM, NULL_PARAM,
NULL_PARAM, &SC_state, &u16_status, card);
```

```
SC_Handler (SC_CREATE_FILE, (u8 *) PublicDir, NULL_PARAM,
NULL_PARAM, NULL_PARAM, &SC_state, &u16_status, response);
```

```
SC_Handler (SC_SELECT_FILE, (u8 *) PublicDir, NULL_PARAM,
NULL_PARAM, NULL_PARAM, &SC_state, &u16_status, response);
```

PwdFile will be created with PIN1 enabled for **read** and **write** access:

```
SC_Handler (SC_CREATE_FILE, (u8 *) PwdFile, 40, SC_PIN1_W | SC_PIN1_R,  
NULL_PARAM, &SC_state, &u16_status, response);
```

If the user verifies PIN1 for read/write operations, **PwdFile** can be accessed. When the user tries to verify a PIN, the related Pwd has to be specified. In this example the following 8byte password is associated with PIN1:

```
Pwd={"1", "1", "1", "1", "1", "1", "1", "1"}
```

```
SC_Handler (SC_VERIFY, (u8 *) Pwd, PWD_LENGTH, NULL_PARAM, SC_VERIFY_PIN1,  
&SC_state, &u16_status, response);
```

After that he can be selected:

```
SC_Handler (SC_SELECT_FILE, (u8 *) PwdFile, NULL_PARAM,  
NULL_PARAM, NULL_PARAM, &SC_state, &u16_status, response);
```

11 Revision History

Date	Revision	Changes
05-Jan-2006	1.0	First edition

Information furnished is believed to be accurate and reliable. However, STMicroelectronics assumes no responsibility for the consequences of use of such information nor for any infringement of patents or other rights of third parties which may result from its use. No license is granted by implication or otherwise under any patent or patent rights of STMicroelectronics. Specifications mentioned in this publication are subject to change without notice. This publication supersedes and replaces all information previously supplied. STMicroelectronics products are not authorized for use as critical components in life support devices or systems without express written approval of STMicroelectronics.

The ST logo is a registered trademark of STMicroelectronics.
All other names are the property of their respective owners

© 2006 STMicroelectronics - All rights reserved

STMicroelectronics group of companies

Australia - Belgium - Brazil - Canada - China - Czech Republic - Finland - France - Germany - Hong Kong - India - Israel - Italy - Japan -
Malaysia - Malta - Morocco - Singapore - Spain - Sweden - Switzerland - United Kingdom - United States of America

www.st.com